

Operation

The V-Series bulkhead mounting adapter is designed for use with Vantage cable attachment receptacles. (See PDS-AF-SF-ATR and PDS-GD-SD-ATR.) The bracket simplifies mating plugs to attachment receptacles and provides for a secure installation. The bracket is available for "through" bulkhead mounting or "to" bulkhead mounting. The mounting bracket kit includes:

- Adapter
- Four (4) #10-32 x 5/8" Flat Head Cap Screws
- Receptacle Cover Mounting Eyelet
- Installation Instructions

Materials (See Tables 5 and 6 for Material Composition data)

Bracket: Stainless Steel Type 316 or Aluminum Type 6061-T6.

Assembly and Installation

Attachment receptacles are designed for field termination. Assembly instructions are included for both the receptacle and the mounting adapter.

Whereas the bracket is made of heavy gauge stock, consideration must be given to the weight the cable will bear upon bracket. Extra support may be necessary.

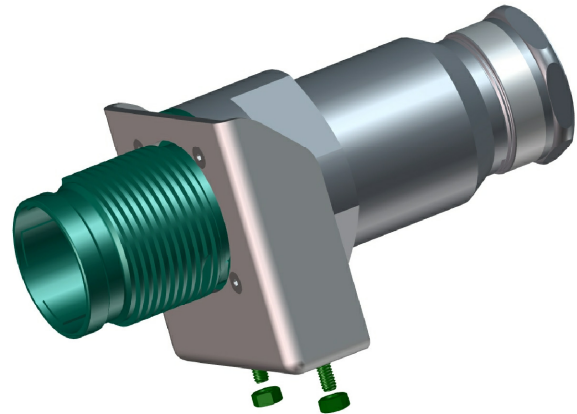
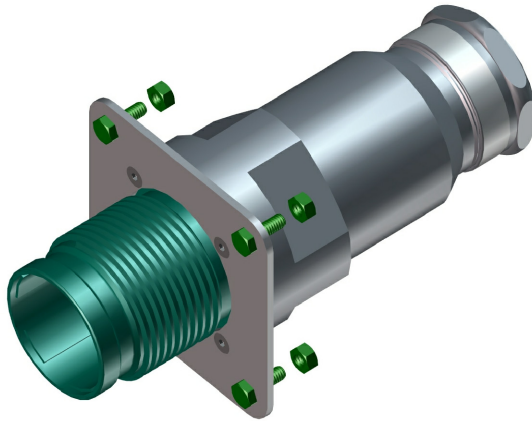
Fasteners to attach the bracket to customer's bulkhead are not included. Customer may choose to affix bracket to bulkhead with nut and bolt, threaded fastener to threaded bulkhead, or by welding. See Table 4 for recommended "Through" bulkhead drill pattern.

Before Ordering

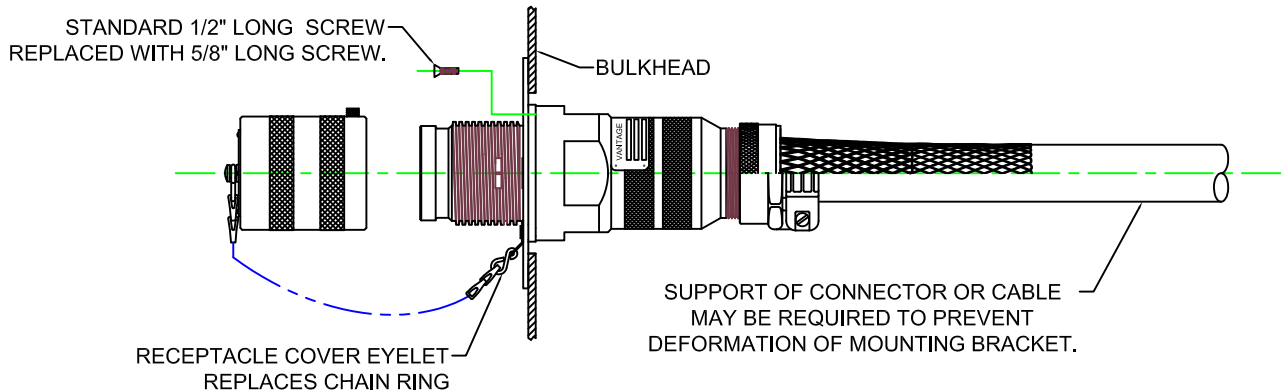
The bracket is available in hard anodized aluminum or 316 stainless steel. Material selection should match attachment receptacle material. See table (1) to match bracket part number to connector shell size.

"THROUGH" BULKHEAD MOUNTING ADAPTER

"TO" BULKHEAD MOUNTING ADAPTER



STANDARD ATTACHMENT RECEPTACLE INSTALLED WITH BULKHEAD MOUNTING ADAPTERS



DATA SUBJECT TO CHANGE WITHOUT NOTICE. THIS DRAWING IS PROPERTY OF HUBBELL INCORPORATED AND VANTAGE TECHNOLOGY. ALL INFORMATION IS PROPRIETARY AND NOT TO BE DUPLICATED.


REVISION:	WTN BY: JOHN NORDECK	TITLE: ATTACHMENT RECEPTACLE BULKHEAD ADAPTER	 Vantage Technology LLC 4675 South Windermere Street Englewood, Colorado USA 80110 Phone: 303-761-2121 Email: support@vantagexp.com
	CHK BY: DARRIN LOMBARD		
	ENG BY:		
	ATEX: -		
ISSUE DATE: MAY 10, 2012	PRODUCT DATA SHEET		DOCUMENT: PDS-ATR-BHD
			SHEET: 1 OF 3

TABLE 1: ATTACHMENT RECEPTACLE BULKHEAD ADAPTER PART NUMBER CODE LOGIC							
	V	-	72086	-	16	-	A
	1		2		3		4
1	CLASSIFICATION	V SERIES					
2	SERIES NUMBER	72086 = ALUMINUM 71300 = STAINLESS STEEL					
3	SHELL SIZE	16 = SHELL SIZE 16 20 = SHELL SIZE 20		24 = SHELL SIZE 24 28 = SHELL SIZE 28			
4	ADAPTER STYLE	A = "THROUGH" BULKHEAD B = "TO" BULKHEAD					

TABLE 2: "THROUGH" BULKHEAD ADAPTER INSTALLATION DIMENSIONS

SHELL SIZE	INCHES (mm)							
	A	B	C	D	E	F	G	H
16	2.61 (66.3)	2.205 (56.0)	0.332 (8.4)	3.0 (76.2)	4.0 (101.6)	0.1620 (4.1)	0.1644 (4.2)	3.06 (77.7)
20	3.11 (79.0)	2.705 (68.7)	0.332 (8.4)	3.5 (88.9)	4.5 (114.3)	0.1620 (4.1)	0.1644 (4.2)	3.56 (90.4)
24	3.74 (95.0)	3.280 (83.3)	0.332 (8.4)	4.0 (101.6)	5.0 (127.0)	0.1620 (4.1)	0.1644 (4.2)	4.19 (106.4)
28	4.24 (107.7)	3.780 (96.0)	0.332 (8.4)	5.0 (127.0)	6.0 (152.4)	0.1620 (4.1)	0.1644 (4.2)	4.69 (119.1)

NOTE: THE CUTOUT DIMENSION "B" INCLUDES CLEARANCE TO ALLOW FULL MATING OF PLUG.

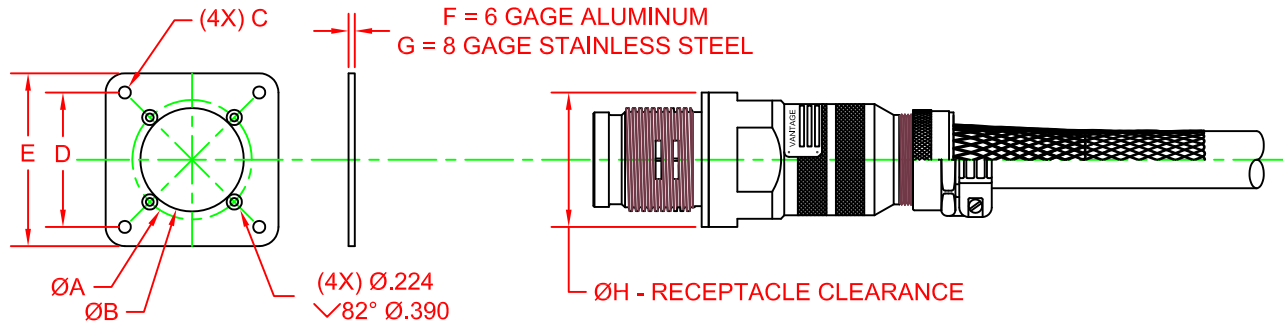
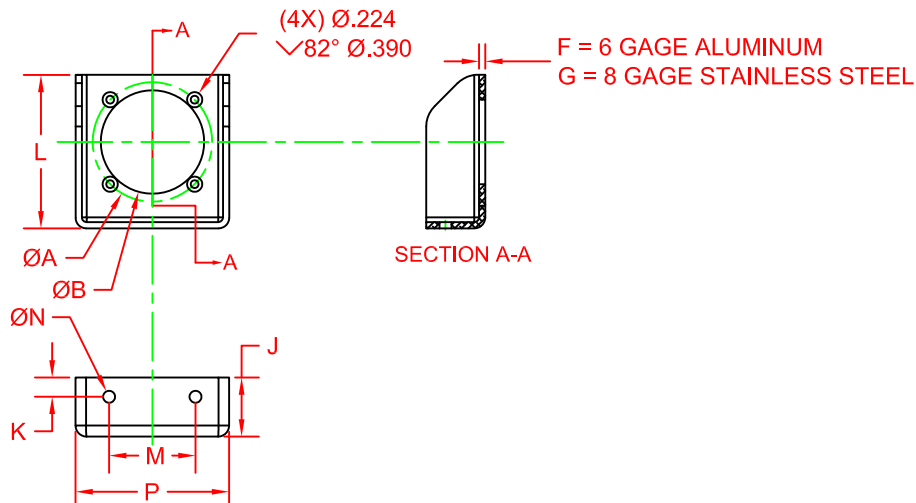


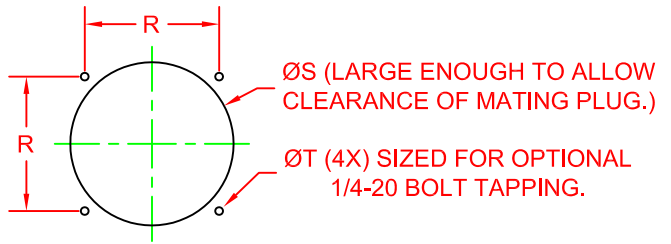
TABLE 3: "TO" BULKHEAD ADAPTER INSTALLATION DIMENSIONS

SHELL SIZE	INCHES (mm)					
	J	K	L	M	N	P
16	1.5 (38.1)	0.5 (12.7)	4.0 (101.6)	2.25 (57.3)	5/16 (7.9)	4.0 (101.6)
20	1.5 (38.1)	0.5 (12.7)	4.5 (114.3)	2.5 (63.5)	5/16 (7.9)	4.5 (114.3)
24	2.0 (50.8)	0.75 (19.1)	5.25 (133.3)	2.75 (69.9)	5/16 (7.9)	5.0 (127.0)
28	2.0 (50.8)	0.75 (19.1)	5.625 (142.9)	3.0 (76.2)	5/16 (7.9)	5.5 (139.7)



WTN BY: JOHN NORDECK	TITLE: ATTACHMENT RECEPTACLE BULKHEAD ADAPTER	REVISION: E
CHK BY: DARRIN LOMBARD		DOCUMENT: PDS-ATR-BHD
ISSUE DATE: MAY 10, 2012	PRODUCT DATA SHEET	SHEET: 2 OF 3

TABLE 4: RECOMMENDED "THROUGH" BULKHEAD DRILL PATTERN			
SHELL SIZE	INCHES (mm)		
	R	S	T
16	3.0 (76.2)	3.5 (88.9)	0.201 (5.1)
20	3.5 (88.9)	4.0 (101.6)	0.201 (5.1)
24	4.0 (101.6)	4.5 (114.3)	0.201 (5.1)
28	5.0 (127.0)	5.5 (139.7)	0.201 (5.1)



ELEMENTAL COMPOSITIONS

TABLE 5: ELEMENTAL COMPOSITION OF ALUMINUM 6061-T6 PERCENTAGE BY WEIGHT											
	Al	Cr	Cu	Fe	Mg	Mn	Si	Ti	Zn	Other Each	Other Total
MIN	REM	0.04	0.15	-	0.80	-	0.40	-	-	-	-
MAX	REM	0.35	0.40	0.70	1.20	0.15	0.80	0.15	0.25	0.05	0.15

TABLE 6: ELEMENTAL COMPOSITION OF STAINLESS STEEL TYPE 316 PERCENTAGE BY WEIGHT											
	Fe	C	Mn	Si	P	S	Cr	Mo	Ni	N	Other
MIN	REM	-	-	-	0	-	16.0	2.0	10.0	-	-
MAX	REM	0.08	2.0	0.75	0.045	0.03	18.0	3.0	14.0	0.10	-

WTN BY: JOHN NORDECK	TITLE: ATTACHMENT RECEPTACLE BULKHEAD ADAPTER	REVISION: E
CHK BY: DARRIN LOMBARD		DOCUMENT: PDS-ATR-BHD
ISSUE DATE: MAY 10, 2012	PRODUCT DATA SHEET	SHEET: 3 OF 3